

IDEAL

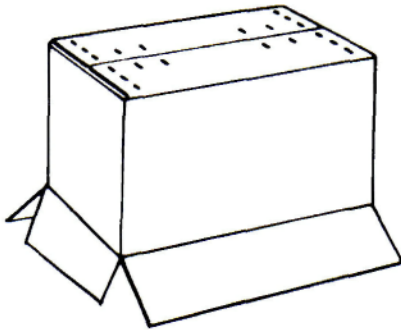
▶ ENGINEERING DATA:

IDEAL STITCHER DIVISION

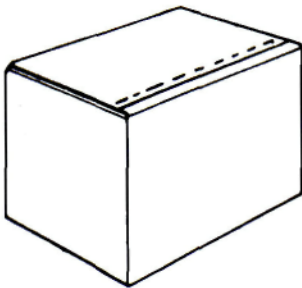
Ideal Stitcher Company
Division of W.R. Pabich
2323 N. Knox Avenue
Chicago, IL 60639

Phone: 773-486-4141 Fax: 773-486-4812
Email: wrpabich@sbcglobal.net
Website: www.idealstitcherco.com

WIRE STITCHERS



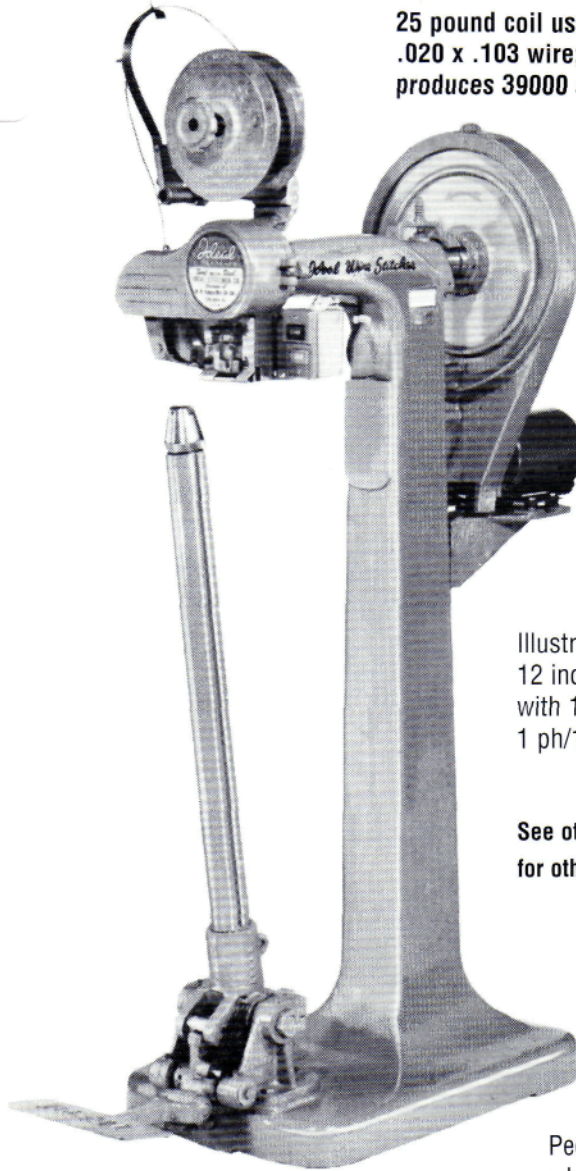
Stitches Regular
Slotted Containers
and Full Overlap Cartons



YOUR IDEAL REPRESENTATIVE:

**7/16 inch standard crown staple
POST STITCHER FOR CARTON BOTTOMS**

25 pound coil uses
.020 x .103 wire;
produces 39000 staples.



Illustrated: IB - 1240
12 inch throat
with 115 VAC/60 cycle
1 ph/1/3 hp motor

See other side
for other sizes.

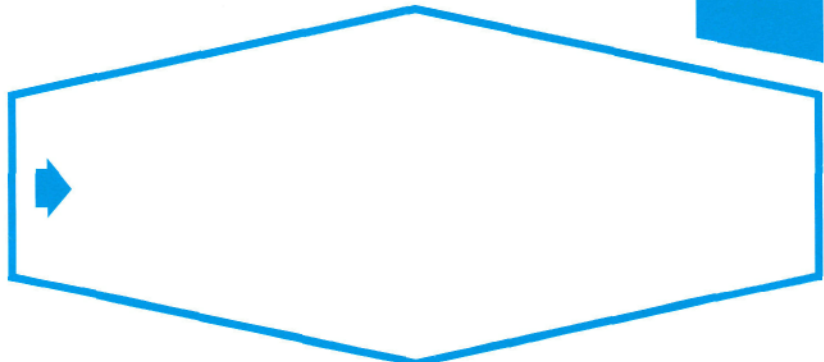
Pedal folds back
when not in use

Conforms to OSHA Requirements

CUT

FORM AND CLINCH

STAPLES, INSTANTLY!



Standard 7/16th Inch Crown Post Stitcher

MACHINE MODEL	CROWN SIZE	WIRE	COIL	STAPLES PER COIL (Approx.)	THROAT	USEABLE POST HEIGHT	CRATED WEIGHT (LBS.)
IB-1240	7/16"	.020 x .103	10 Pounds	15000	12"	40"	490
			25 Pounds	39000			
IB-2043	"	"	10 Pounds	15000	20"	43"	620
			25 Pounds	39000			
IB-2540	"	"	10 Pounds	15000	25"	40"	660
			25 Pounds	39000			

SPECIFICATIONS: All equipped with 25 pound coil; 1/3 hp 115 V 60 cycle 1 ph motor with overload protection and push-button start-stop switch.

POST machines are also made in 1-1/4 inch crown, and 1-3/8 inch crown models, as well as various other size crown and wire sizes.

Special machine heights can be made to order.
Variable speed also available.

Ideal Stitcher Company
Division of W.R. Pabich
 2323 N. Knox Avenue
 Chicago, IL 60639
 Phone: 773-486-4141 Fax: 773-486-4812
 Email: wrpabich@sbcglobal.net
 Website: www.idealstitcherco.com