

# IDEAL

# ▶ ENGINEERING DATA:

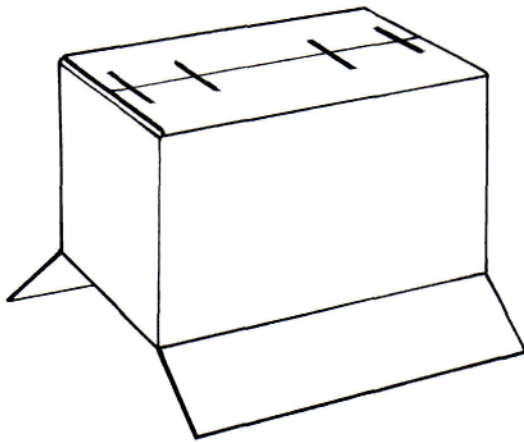
IDEAL STITCHER DIVISION

**Ideal Stitcher Company**  
Division of W.R. Pabich  
2323 N. Knox Avenue  
Chicago, IL 60639

Phone: 773-486-4141 Fax: 773-486-4812  
Email: wrpabich@sbcglobal.net  
Website: www.idealstitcherco.com

## WIRE STITCHERS

Stitches Regular  
Slotted Containers  
and Full Overlap Cartons



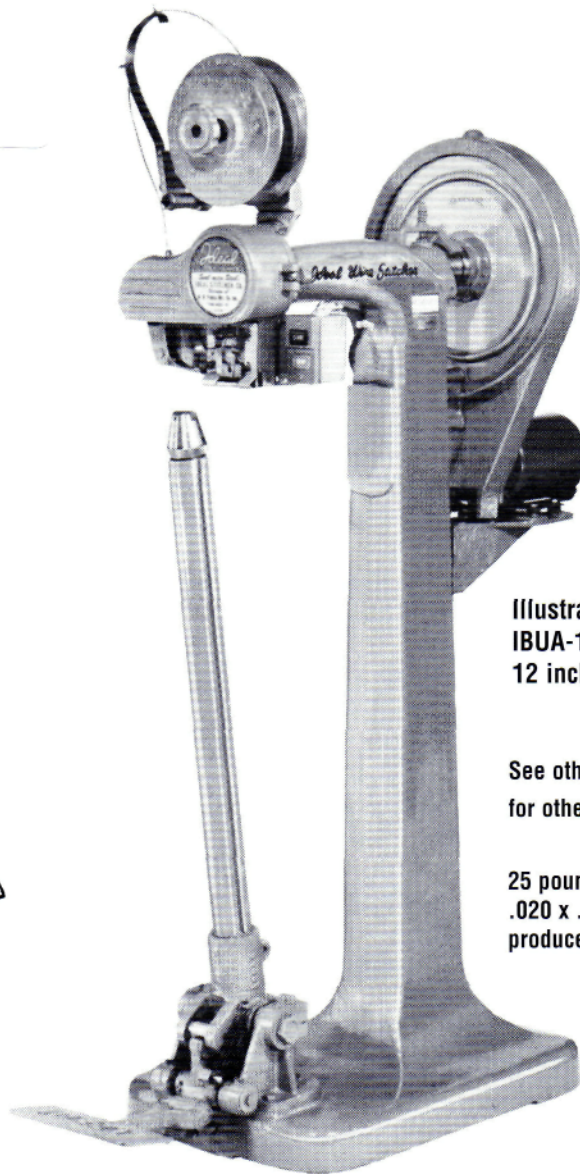
FEWER STAPLES

MORE STRENGTH



**YOUR IDEAL REPRESENTATIVE:**

1 1/4 inch wire crown staple  
POST STITCHER FOR CARTON BOTTOMS



Illustrated:  
IBUA-1240 with  
12 inch throat

See other side  
for other sizes.

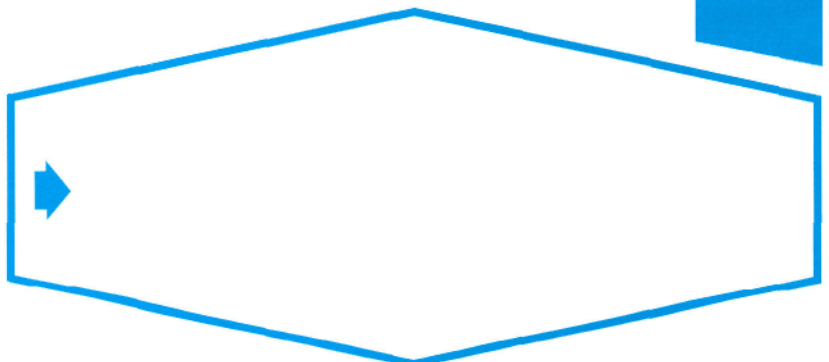
25 pound coil holder uses  
.020 x .103 arched wire...  
produces 19000 staples

Conforms to OSHA Requirements

CUT

FORM AND CLINCH

STAPLES, INSTANTLY!



**1-1/4 Inch wide crown staple Post Stitcher (arched wire)**  
**Also available with .028 x .103 (flat wire)**

MACHINE MODEL	CROWN SIZE	WIRE	STAPLES PER COIL	COIL SIZE	THROAT SIZE	USEABLE POST HEIGHT	CRATED WEIGHT (LBS.)
IBUA 1240	1-1/4"	.020 x .103 ARCHED	19000	25 Lbs.	12"	40"	410 Lbs.
IBU 1240	"	.028 x .103 FLAT	11450	25 Lbs.	12"	40"	470 Lbs.
IBUA 2043	"	.020 x .103 ARCHED	19000	25 Lbs.	20"	43"	620 Lbs.
IBU 2043	"	.028 x .103 FLAT	11450	25 Lbs.	20"	43"	620 Lbs.
IBUA 2540	"	.020 x .103 ARCHED	19000	25 Lbs.	25"	40"	640 Lbs.
IBU 2540	"	.028 x .103 FLAT	11450	25 Lbs.	25"	40"	640 Lbs.

**SPECIFICATIONS: 1/3 hp, 115 V 60 cycle 1 ph motor with overload protection and push-button start-stop switch.**

**Special machine heights can be made to order.  
Variable speed also available.**

**Ideal Stitcher Company**  
**Division of W.R. Pabich**  
2323 N. Knox Avenue  
Chicago, IL 60639  
Phone: 773-486-4141 Fax: 773-486-4812  
Email: [wrpabich@sbcglobal.net](mailto:wrpabich@sbcglobal.net)  
Website: [www.idealstitcherco.com](http://www.idealstitcherco.com)