

# IDEAL

IDEAL STITCHER  
DIVISION

**Ideal Stitcher Company**  
*Division of W.R. Pabich*  
2323 N. Knox Avenue  
Chicago, IL 60639

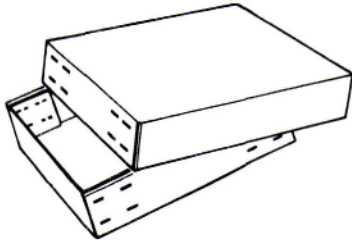
Phone: 773-486-4141 Fax: 773-486-4812  
Email: wrpabich@sbcglobal.net  
Website: www.idealstitcherco.com

## ▶ ENGINEERING DATA:

7/16 inch standard crown combination  
**STRAIGHT ARM & POST STITCHER**

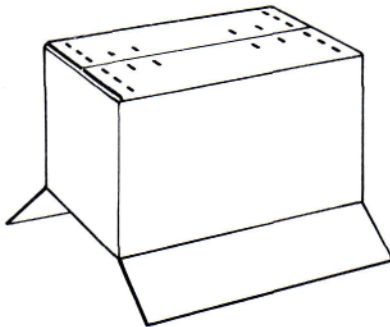
## WIRE STITCHERS

**Used as an Arm Stitcher**

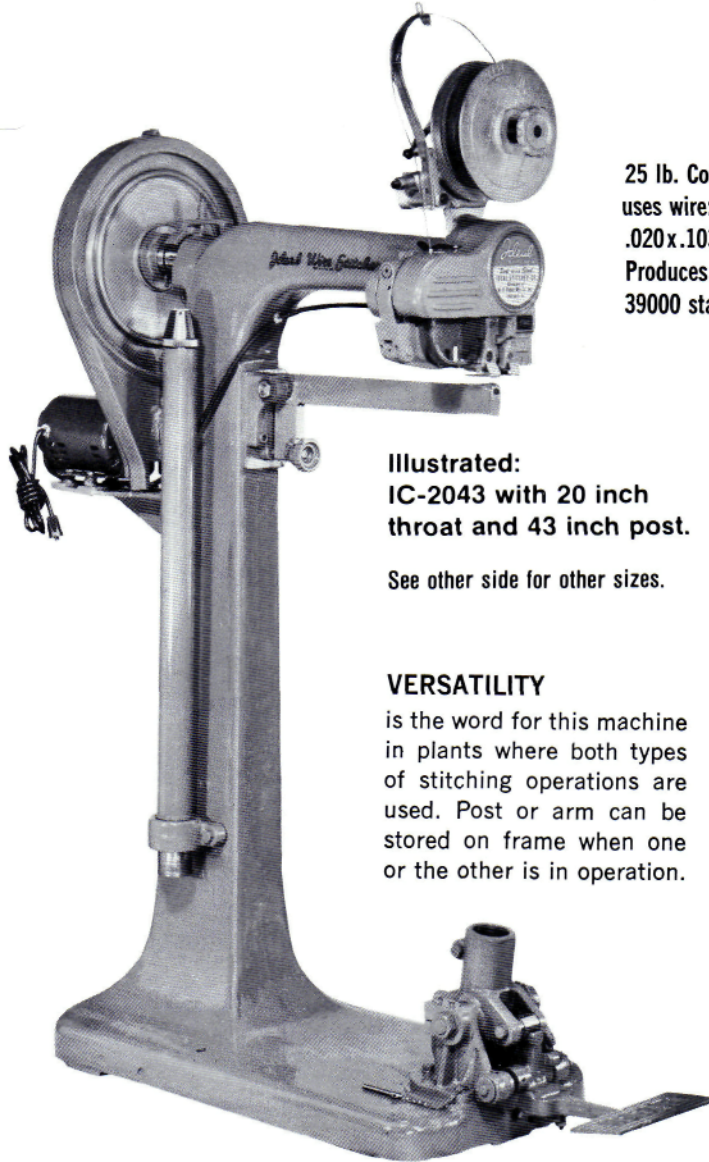


**Stitches Telescope Boxes**

**Used as a Post Stitcher**



**Stitches Carton Bottoms**



25 lb. Coil  
uses wire:  
.020x.103  
Produces  
39000 staples

**Illustrated:**  
IC-2043 with 20 inch  
throat and 43 inch post.

See other side for other sizes.

### VERSATILITY

is the word for this machine  
in plants where both types  
of stitching operations are  
used. Post or arm can be  
stored on frame when one  
or the other is in operation.

Conforms to OSHA Requirements



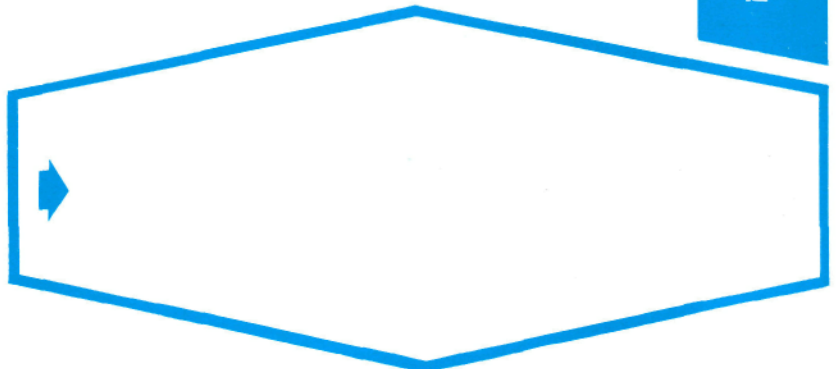
CUT

FORM AND CLINCH



STAPLES, INSTANTLY!

**YOUR IDEAL REPRESENTATIVE:**



**7/16th inch crown combination straight arm & post stitcher**

MACHINE MODEL	CROWN SIZE	WIRE	COIL	STAPLES PER COIL (Approx.)	THROAT	USABLE POST HEIGHT	CRATED WEIGHT (LBS.)
IC-1240	7/16"	.017 x .103 .020 x .103 .023 x .103	10 Pound	15600	12"	40"	490
			25 Pound	39000			
IC-2043	"	"	10 Pound	15600	20"	43"	640
			25 Pound	39000			
IC-2540	"	"	10 Pound	15600	25"	40"	660
			25 Pound	39000			

**1-1/4 inch crown combination straight arm & post stitcher (arched wire)**

ICUA-1240	1¼"	.020 x .103	25 Pound	19,000	12"	40"	490
ICUA-2043	"	"	"	19000	20"	43"	640
ICUA-2540	"	"	"	19000	25"	40"	660

**1-3/8 inch crown combination straight arm & post stitcher (flat wire)**

WSIC-1240	1-3/8"	.037 x .074	25 Pound	14250	12"	40"	490
WSIC-2043	"	"	"	14250	20"	43"	640
WSIC-2540	"	"	"	14250	25"	40"	660

**SPECIFICATIONS:** 1/3 hp, 115V 60 cycle 1ph motor with overload protection. Push button start-stop switch. Other models available.

**Ideal Stitcher Company**  
 Division of **W.R. Pabich**  
 2323 N. Knox Avenue  
 Chicago, IL 60639  
 Phone: 773-486-4141 Fax: 773-486-4812  
 Email: wrpabich@sbcglobal.net  
 Website: www.idealstitcherco.com

Our cable address outside of the U.S., Mexico, and Canada is "IDEAL SEAL". Include complete information-shipping, credit, descriptions.